

CY-NID-061 Fiber Optical Terminal Box

Description:

CY-NID-061 can connect the drop cable with feeder cable as the termination point in the FTTx network, which is cable to meet at least 8 & 9 users' requirements. It can help splicing, splitting, storage and management with suitable space.

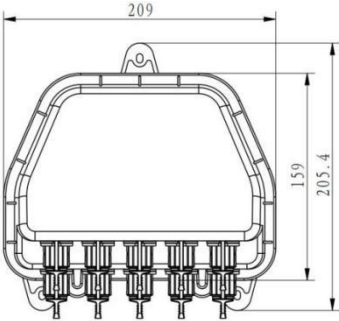
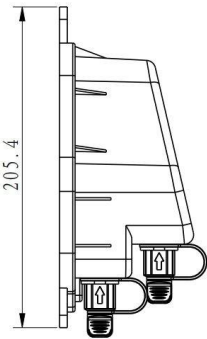
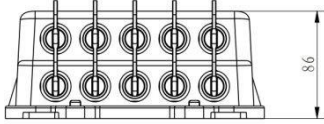
Features:

- The body is made of high-quality engineering plastic with good strength;
- With good water-proof performance, suitable for indoor and outdoor natural environments (refer to Pic#4);
- With water-proof adapter, the box can be operated more conveniently (refer to Pic#5);
- The drop leaf can be installed 2 pcs of 1*4 & 1 pcs of 1*8 & 1 pcs of 1*9 tube splitter (refer to Pic#7);

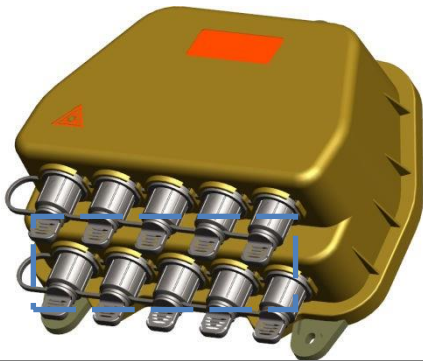
Specification

Model No.	CY-NID-061	Color	Black, Grey, White etc..
Capacity	8 & 9 cores	Protection Level	IP65
Material	PC+ABS, ABS	Flame retardant performance	Non-flame retardant
Dimension(L*W*D,MM)	209*205*86	Splitter	Can be with 2x1:4 tube splitter Or 1 PC 1X8 PLC

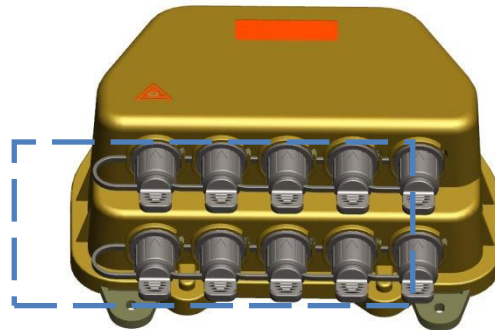
Dimension (mm)

		
Pic#1: Top View	Pic#2: Side View	Pic#3: Front View

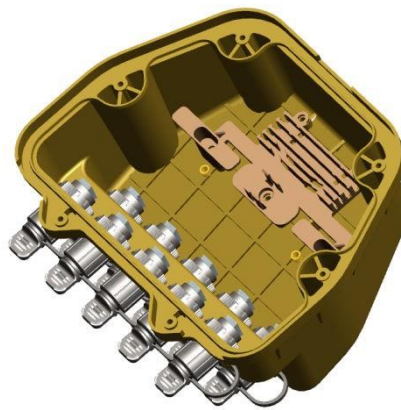
Pictures for reference:



**Pic#
4**

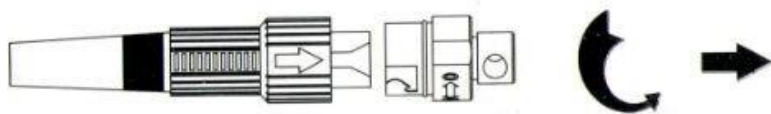


**Pic#
5**

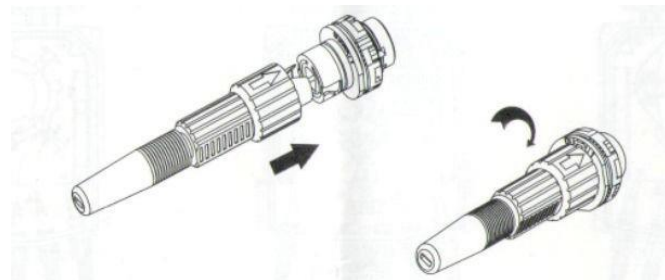


Pic#6

Fiber connector installtion:

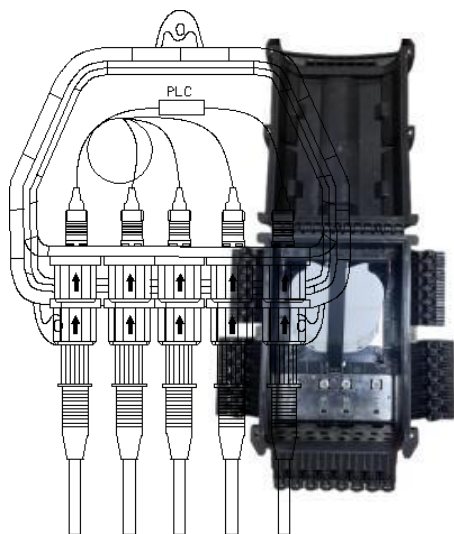


Pic 7 Rotate the arrow part of fiber connector counterclockwise and take out the dust cap.



Pic8 the arrow part of fiber connector is above, insert fiber connector into the socket and then rotate the arrow part clockwise

Product cable arrangement:



Package Information

Product Dimension	Gift Box Dimension	Outer carton Dimension	Weight
209*205*86 mm	215*210*90 mm (1 PCS)	450*440*465 mm (20 PCS)	14.5kg per carton

Order Information

Part Number	Description
CY-NID-061	Fiber Optical Terminal Box, IP65 grade, 10 ports. With selection of 2*1:4 tube splitters or 1*1:8 PLC splitter.