

CY-FOSC-6808 series Fiber Optic Splice Closure specification

Description

CY-FOSC-6808 fiber optic splice closure is a kind of multi-purpose optical cable connection product, which can connect and divide optical fiber. The closure can be applied to a variety of optical cable and can be installed in a variety of environments (overhead, wall, pipe-line, manhole, underground), and for a variety of connecting methods (distribution, bridge, branch, etc.).

Features

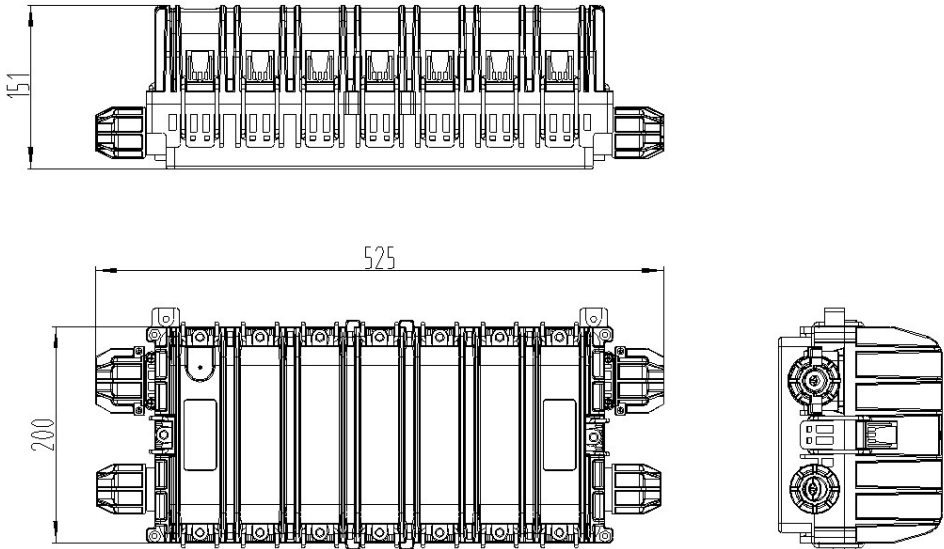
- Structure: Compact, watertight and no screw design, open easily and user friendly
- Capacity: CY-FOSC-6808 support maximum 288 cores
- Diameter: total 4 ports and suitable for Φ 10 to 18 mm cable (cable hole tooling can be customized)
- Sealing: Box sealed by buckles around and cables ports sealed by nuts to meet IP68
- Installation: Aerial mounting, Manhole mounting, Wall mounting and underground



Specifications

Technical Specification	
Style	In-line/ Horizontal
Dimensions	525(L)×200(W)×151(H) mm
Weight	4.5kg
Material	PP+ glass fiber
Sealing Type	Mechanical Seal
Protection Grade	IP68
Cable ports	4
Cable diameter	Φ 3-5 mm (cable hole diameter can be customized, new tooling required)
Fiber Splice Capacity	144F or 288F
Tray Capacity	24F or 48F
Tray Count	6F
Application	Aerial mounting, Manhole mounting, Wall mounting and underground

Structure Drawings



Packaging information

Product Dimension	Gift Box Dimension	Outer carton Dimension
525×200×151mm	540×220×180 mm (1PCS)	560×460×570 mm (6 PCS)

Ordering information

Part Number	Description
CY-FOSC-6808-AAA	Fiber Optic Splice Closure, IP68 grade, with selection of 144/288 fiber splice capacity (6 trays with 24 fiber per tray or 48 fiber per tray),
	Fiber Splice capacity
AAA	144 – 144 fiber, 6 trays with 24 fiber splices per tray
	288 – 288 fiber, 6 trays with 48 fiber splices per tray

Example: CY-FOSC-6808-144