

## **CY-FOSC-5607 series**

### **Fiber Optic Splice Closure specification**

#### **Description**

CY-FOSC-5607 fiber optical splice closure is used to connect and branch optical fiber cable with excellence in sealing, fiber management, ease of use and design flexibility. Mechanical sealing cable type.

#### **Features**

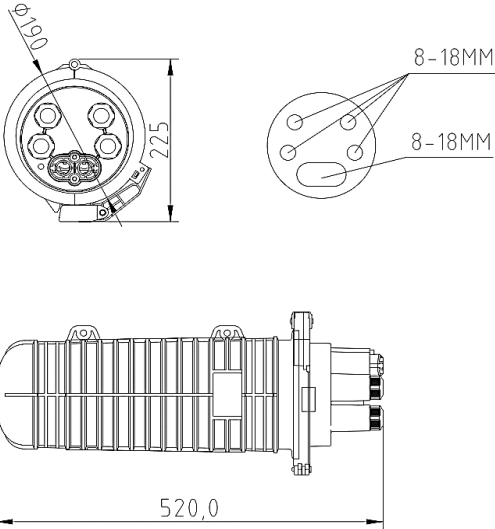
- 5 ports in total, 1 uncut oval port and 4 branch ports are available for  $\Phi$  8 to 18 mm cable.
- Max capacity can be 96F or 144F. It also supports ribbon cable, maximum capacity up to 432F.
- Mechanical seal, good sealing effect can resist the external environment effectively.
- Installation method: pole-mounting, wall-mounting, manhole, Aerial, etc.
- Protection grade: IP68



**Specifications**

Style	Dome		
Dimensions(mm)	520*Φ245 mm		
Weight (kg)	3.8-4.3		
Material	PP+GF		
Sealing Type	Mechanical Seal		
Protection Grade	IP68		
Cable ports	Uncut port	1	Φ8 - Φ18 mm
	Branch port	4	Φ8 - Φ18 mm
Closure Max Capacity	Single fiber splicing		96F or 144F
Splice Tray Capacity	Single fiber splicing per tray		24F or 36F
Max No. tray installed	4pc		

**Structure drawing**



## Ordering information

Part Number	Description	
CY-FOSC-5607-A-BBB	Fiber Optic Splice Closure, IP68 grade, with selection of single fiber splicing (max 144 fiber with 4 trays) or ribbon fiber splicing (max 432 fiber with 4 trays).	
	A	<b>Fiber Splice Type</b> S – Single fiber splicing R – Ribbon fiber splicing
	BBB	<b>Maximum Fiber Splice Capacity</b> 96 – Single fiber splicing, 24 fiber per tray with 4 trays 144 – Single fiber splicing, 36 fiber per tray with 4 trays 432 – for Ribbon fiber splicing, 4 trays

Example: CY-FOSC-5607-S-144