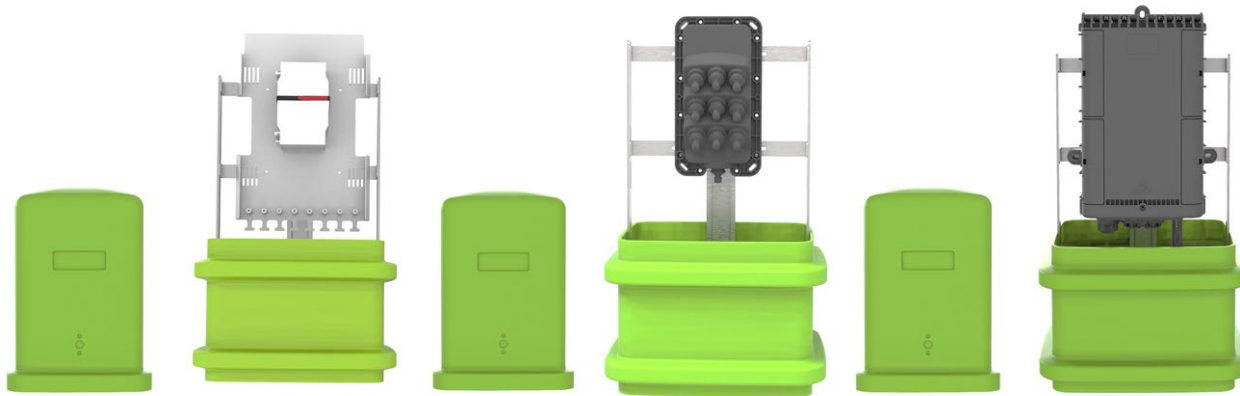


CY-PD-131126 series Pedestals

Description

CY-PD-131126 pedestals can be used outdoors. Internal can be placed in a variety of sizes of distribution box. It's a key element of any FTTx solution. All our Pedestals feature a robust construction that offers superior OSP protection against floods, fire, dirt, insects and impact. The pedestal is designed to meet GR-13 requirements.



Model A

Model B

Model C

Model A: It's an ideal solution for field splicing, easy operation and save plenty of labors. The strength members are integrated on the bracket.

Model B: The terminal is mounted and come with the pedestal. The terminal is compatible with MINI IP SC adapter. It's a perfect solution for FTTH architecture.

Model C: The pedestal is equipped with Fiber optic drop closure that is used for the last mile connection. The closure is featured with 16 ports for connecting with 16 units of homes and also providing branch and pass through cable function.

Features overview



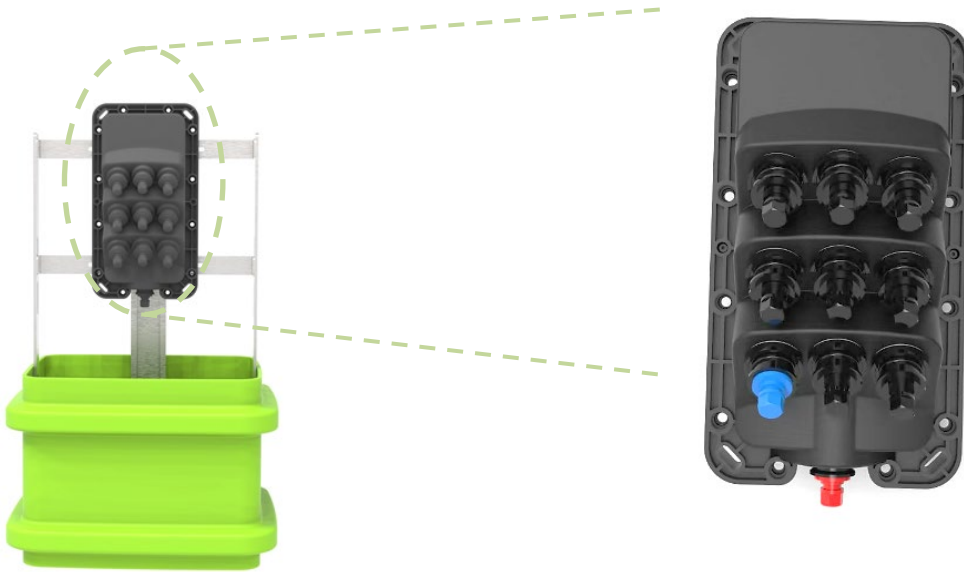
P/N	CY-PD-131126-A	CY-PD-131126-B	CY-PD-131126-C
Dimensions (LxWxH)	13.6x11.7x26.8"	13.6x11.7x26.8"	13.6x11.7x26.8"
Pedestal material	HDPE		
Number of splice tray	6	N/A	4
Splice capacity	144F	N/A	96F
Main cable attachments	3	4	4

Features CY-PD-131126-A

Feature	Benefit
Diverse installation sites and application methods	It can be used in a variety of environments and adapts to a variety of cable sizes and densities
Mechanical seal function	Provides mechanical and environmental protection for splice trays and cable storage
Internal operation space partition	Independent fiber splicing area and cable routing area, easy to operate and maintain
Integrated cable strain relief	Multiple cable strain are provided to prevent cable movement
Optional Ground Lug	Separate ground bar kit available
Lock customizable	Various locks available

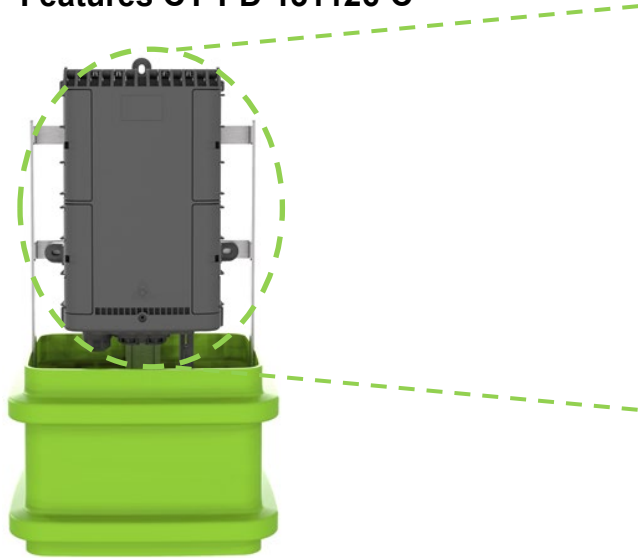


Features CY-PD-131126-B



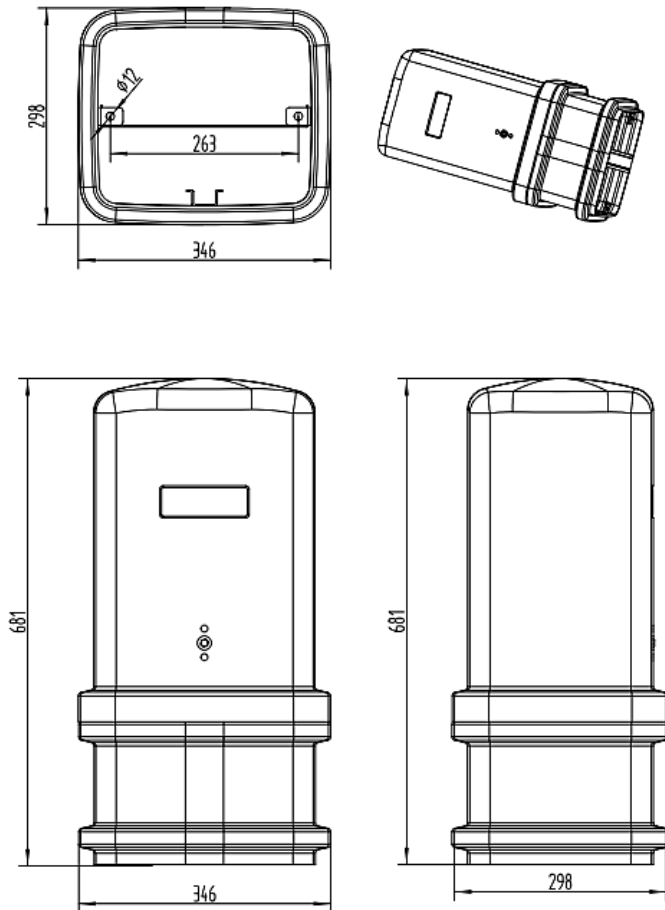
Multiport Service Terminal (MST)	
Dimensions (LxWxH)	10.15x5.55x3.54"
Weight	2.2 lbs
Hardened adapter (Red)	Input port. This port can be change to optical cable integrated. The cable length can be customized
Hardened adapter (Blue)	Output port
Number of Hardened adapter	Max 10 pcs
Protection grade	IP68
Operation temperature	-45°C ~ +85°C
MST compatible	Fully encapsulated terminal for maximum protection
Cost saving	MST is mounted in Pedestal and shipped

Features CY-PD-131126-C



Fiber Optic Drop Closure (FODC)	
Dimensions (LxWxH)	14.56x8.26x4.88"
Weight	8.3 lbs
Material of FODC	PP filled with glass fiber
Seal type	Mechanical seal
Protection grade	IP68
IP protection	IP68
Cable ports	1 oval port(Φ 10-17.5 mm); 1 branch ports(Φ 10-17.5 mm) 16 drop cable ports(8*4mm drop cable or Φ 3-8mm cable)
FODC compatible	Fully encapsulated terminal for maximum protection
Number of splice tray	4
Splice capacity	96F
Number of adapter	16
Number of PLC splitter	4* 1x8 splitter

Pedestal Dimensions



Order information

Part Number	Description
CY-PD-131126-A	Pedestal, hex lock, with six splice trays for maximum 144f splice capacity. Splice trays can be customized.
CY-PD-131126-B	Pedestal, hex lock, with MST installed
CY-PD-131126-C	Pedestal, hex lock, with FODC installed

Remarks: Lock, internal metal bracket, color can be customized