

Connect & Protect Underground Fiber Optic Network

Model – CYV-2436 Chamber Series

CANYON CYV-2436 Series Vault system is SCTE77-Tier22 load capacity, designed for underground network access, especially for fiber optical and electricity industries. Manufactured with innovated composite material, making CYV-2436 Vault Series an ideal solution of strong, light, flexible, time & cost saving comparing to concrete manholes. CYV-2436 series consist of 3 models, CYV-2436A (base), CYV-2436B (high-rise) and CYV-2436C (ultra high-rise). The innovative “Fast-Clip connecting kit” features no tool required and easy to stack based on CYV-2436A.

Technical Features

1 Knock-down and delivered with flat package
 Low transport cost.
 Fast set up on site.
 70% time saving compared to concrete.
 No heavy truck to lift.

2 Duct Entry Provision
 Fast knock-out entry.
 Duct reducer and sealing.

3 Fast-Clip connecting kit
 No bolt or tool required.
 50% time saving.

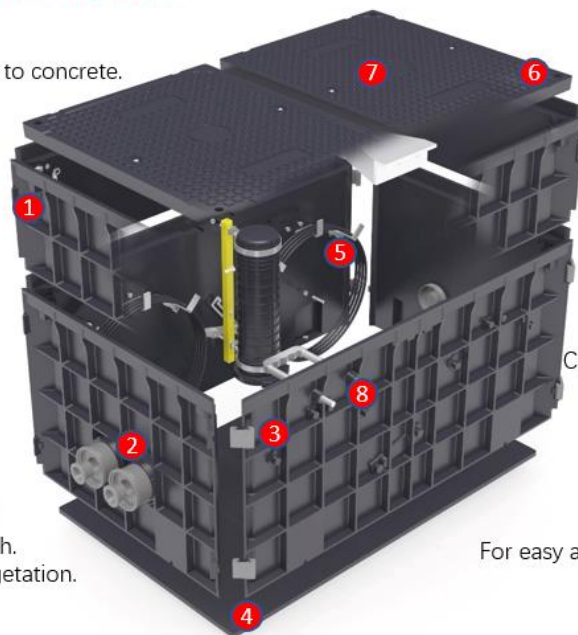
4 Bottom plate (Optional)
 Base provide a clean finish.
 Anti-slip and prevent vegetation.

5 Cable & Closure bracket
 Provide slack cable storage.
 Hold closure.


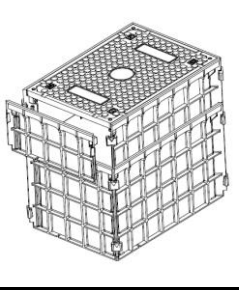
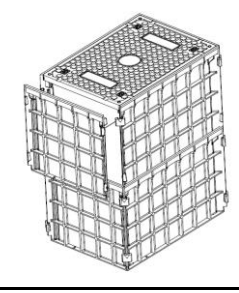
6 Optional locking system

7 Customer logo
 Customized on cover available

8 Ladder (Optional)
 For easy and safe access into manhole



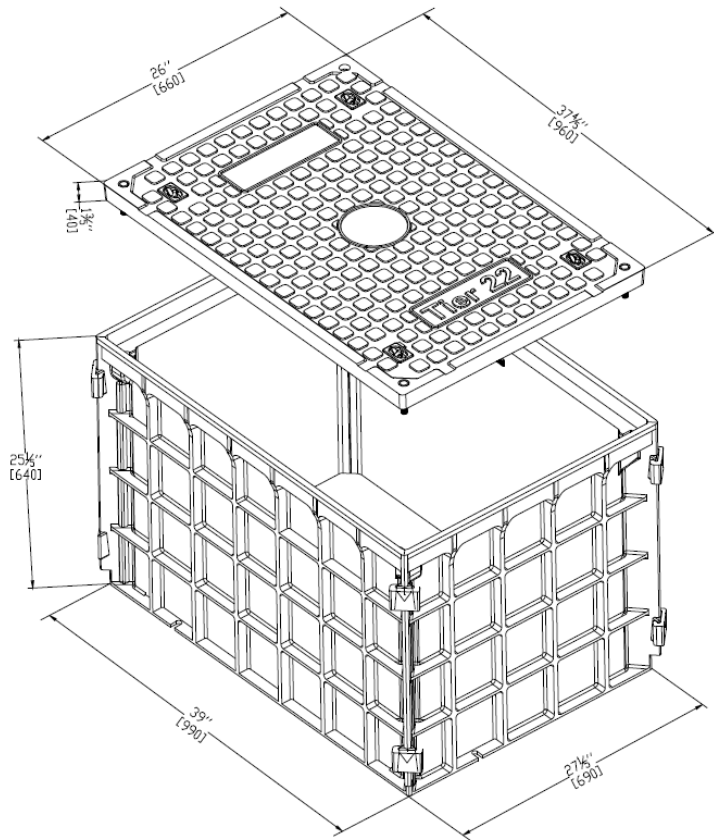
Order & Specification Information:

Vault Model#	CYV-2436A	CYV-2436B	CYV-2436C
Outlook			
Internal Size (inch) WxLxH	24x36x24	24x36x36	24x36x48
External Size (inch) WxLxH	27x39x24	27x39x36	27x39x48
Weight (lbs)	158.15	204.89	244.65
Side Wall parts included			
CYVP-2436S	2	2	4
CYVP-2436L	2	2	4
CYVP-2436C	1	1	1
CYVP-2436RS	0	2	0
CYVP-2436RL	0	2	0

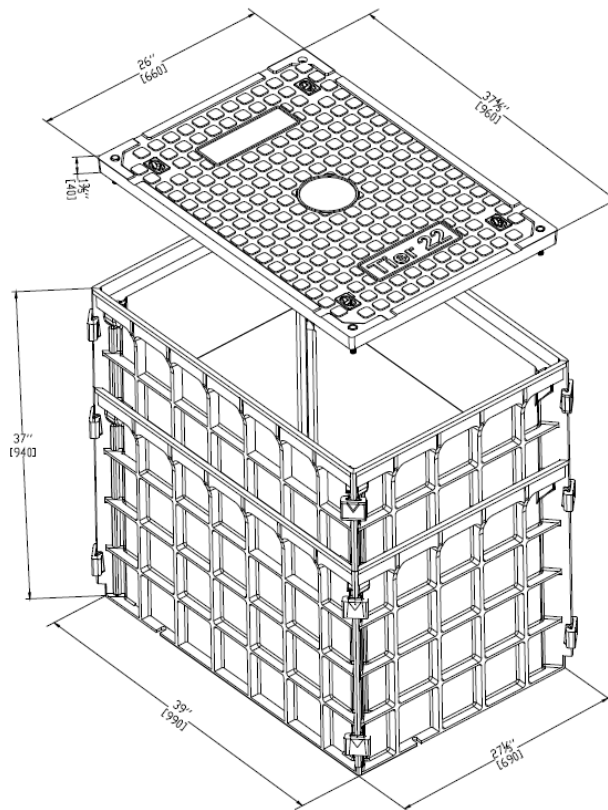
Side Wall Parts	Description	Size (inch)	Weight (lbs)
CYVP-2436S	Short Side Wall for CYV-2436A/B/C	26x24	19.97
CYVP-2436L	Long Side Wall for CYV-2436A/B/C	39x24	23.28
CYVP-2436C	Cover for CYV-2436A/B/C	26x39	71.65
CYVP-2436RS	Short-Short Side Wall for CYV-2436B	26x12	9.7
CYVP-2436RL	Short-Long Side Wall for CYV-2436B	39x12	13.67

Assemble Parts	Specifications	QTY	Description
CL652	Clip, Dimension 63x50x22 mm	8	Connect Side walls
SHSM1270	Socket Head Screw, M12X70 mm	4	Fasten lid onto walls
NUTM12	Nut, M12	4	Buried into Side wall, work with screw
SDM12	Screw Driver for Socket Head M12	1	Fasten and unfasten the screw
BKT822	J-Bracket, Dimension 80x25x25 mm	4	Holding FOSC or loop cable
STSM419	Self-tapping Screw , M4X19 mm	8	Fasten J-Bracket onto walls
MC75	Marker Case, Diameter 75 mm	1	Holding marker in, at lid back
SHSM1016	Socket Head Screw, M10X16	1	Screw Marker Case at lid back
WasherM10	Washer, 11X20mm (in and out diameter)	1	Fasten on Marker Case
HK30	Hook, S.S 30mm Long	2	Per 2 vault equip 1 pair of hook

CYV-2436A External Dimension



CYV-2436B External Dimension



CYV-2436C External Dimension

